



Max Lifting
Height 9.3m

Working Radius 8.38m



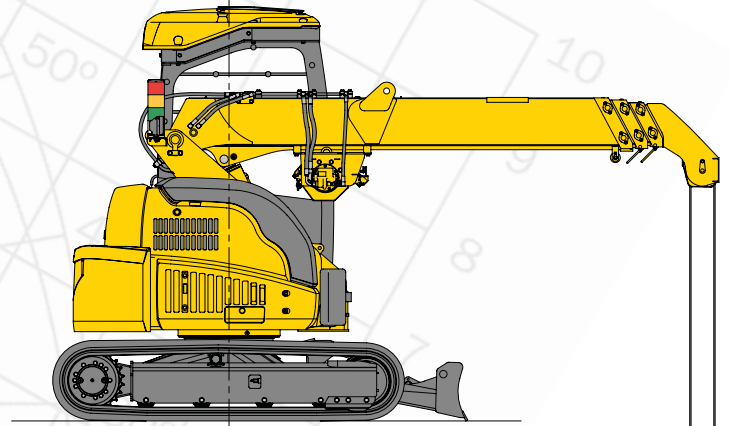
Capacity
2.93t x 1.5m

Weight
4400kg

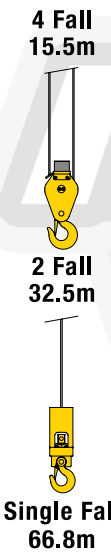
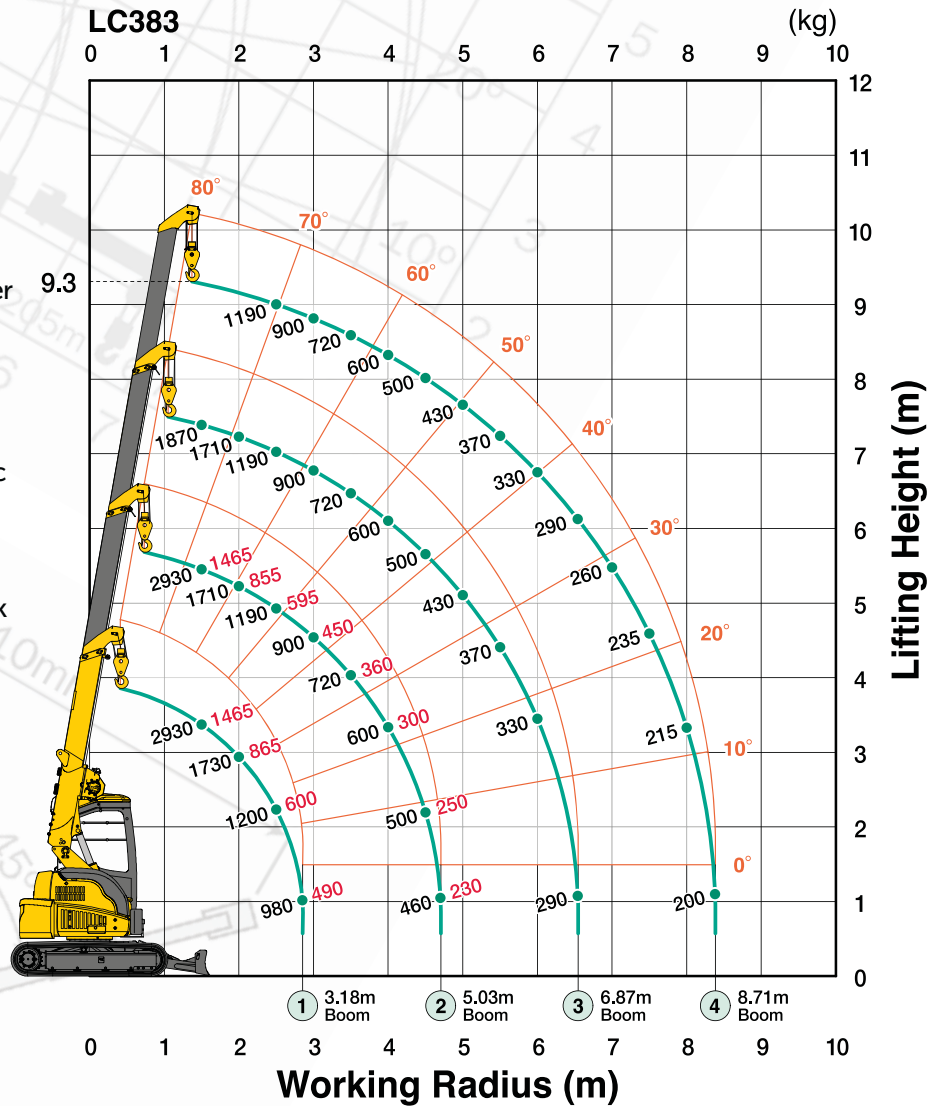
LC383

The LC383 is the newest addition to the Crawler Crane range with a 2.93t capacity. The LC383 has primarily been developed for use in areas such as city centres where space is restricted, due to the highly compact tracked footprint with no need for outriggers and near zero-tailswing.

The major feature of this crane is the 1465kg Pick & Carry capacity. Other features include a 9.3m lifting height, an open but covered superstructure mounted operators cab and a gross weight of 4400kg.



- 2.93 Ton Max Capacity
- 9.3m Max Working Height
- 1465kg Pick and Carry Duty
- Blade
- Programmable Moment Limiter
- Hydrostatic Transmission
- 4 Fall / 2 Fall Hook Block
- Tilt Alarm
- Powerful Winch with Hydraulic Disc Brake
- Minimal Tail Swing
- Optional 500kg Searcher Hook
- Data Logger
- 2 Year Warranty



This working range chart shows total rated load including boom deflection.

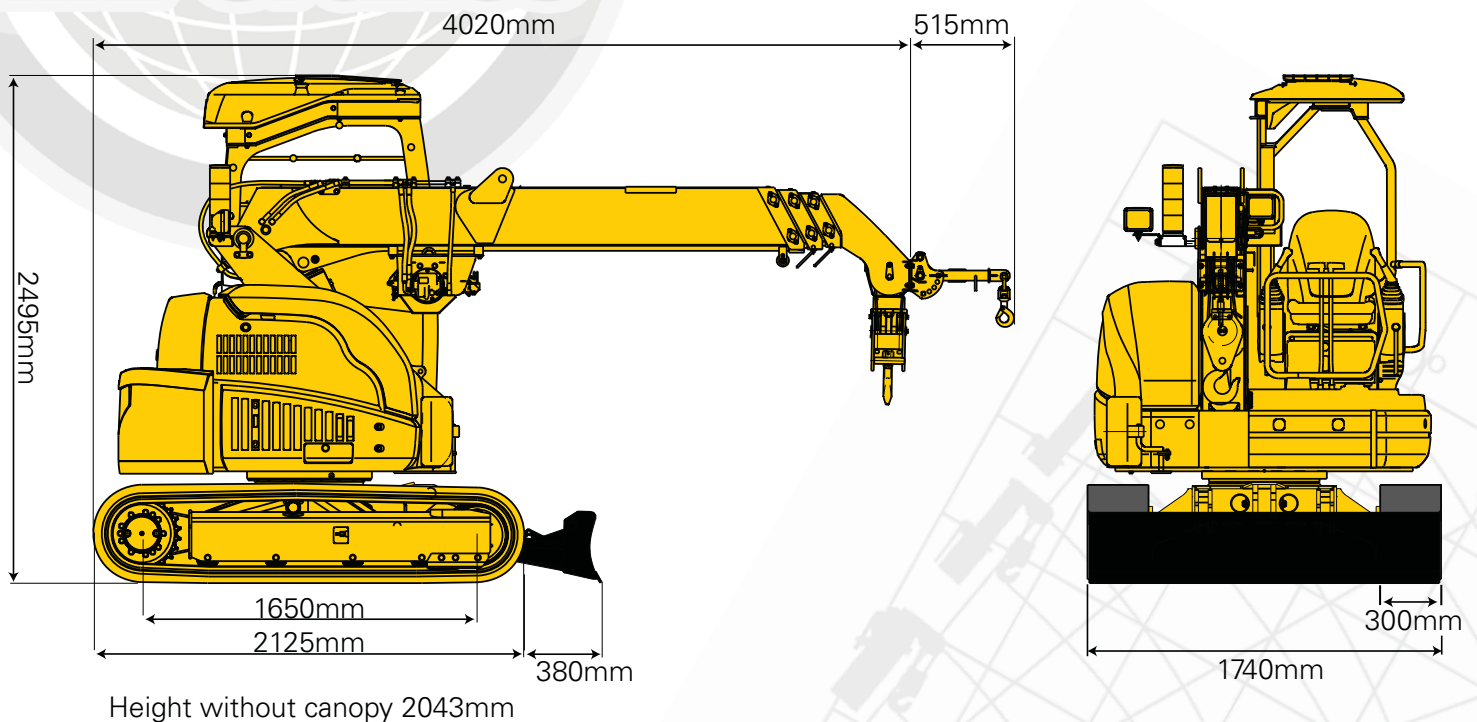
Total rated load with 500kg Searcher Hook				
Working radius (m)	3.18m boom	5.03m boom	6.87m boom	8.71m boom
1.50	500	500	500	500
2.00	500	500	500	500
2.50	500	500	500	500
2.85	500	500	500	500
3.00		500	500	500
3.50		500	500	500
4.00		440	430	430
4.50		370	370	370
4.70		350	350	350
5.00			320	320
5.50			280	280
6.00			250	250
6.54			220	220
7.00				200
7.50				180
8.00				160
8.38				150

Total rated load							
3.18m boom		5.03m boom		6.87m boom		8.71m boom	
Working radius (m)	Total rated load (kg)	Working radius (m)	Total rated load (kg)	Working radius (m)	Total rated load (kg)	Working radius (m)	Total rated load (kg)
1.5	2930	1.5	2930	1.5	1870	1.5	1190
2.0	1730	2.0	1710	2.0	1710	2.0	1190
2.5	1200	2.5	1190	2.5	1190	2.5	1190
2.85	980	2.85	980	2.85	980	2.85	980
		3.0	900	3.0	900	3.0	900
		3.5	720	3.5	720	3.5	720
		4.0	600	4.0	600	4.0	600
		4.5	500	4.5	500	4.5	500
		4.7	460	4.7	460	4.7	460
				5.0	430	5.0	430
				5.5	370	5.5	370
				6.0	330	6.0	330
						6.54	290
						7.0	260
						7.5	235
						8.0	215
						8.38	200

- The Total Rated Load Charts are based on the actual working radius including boom deflection. The weight of the hook (standard 4 fall - 30kg) must be included as part of the load shown in the Total Rated Load Charts.
- When using two fall or single fall hooks, use the appropriate four fall Total Rated Load Chart but with a maximum load of: Two Fall - 1480kg, Single Fall - 750kg.

Pick & Carry Duties			
3.18m boom		5.03m boom	
Working radius (m)	Total rated load (kg)	Working radius (m)	Total rated load (kg)
1.5	1465	1.5	1465
2.0	865	2.0	855
2.5	600	2.5	595
2.85	490	2.85	490
		3.0	450
		3.5	360
		4.0	300
		4.5	250
		4.7	230

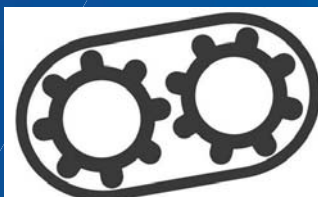
Dimensions



LC383

Specifications

Capacity	Maximum	2.93t x 1.5m
Working radius	Maximum	8.38m x 200kg
Lifting height	Maximum	9.3m x 1190kg
Dimensions	LC383	4020mm x 1740mm x 2495mm
Weight	LC383 Hook block weight	4400kg 30kg
Hook speed	Maximum	20.8m / min. (4 falls, 4th layer)
Single line speed	Maximum	83.2m / min. (4th layer)
Hoist rope	Type	IWRC 6xWS (26) Ø 8mm x 73m
Telescopic system	Boom length Telescoping speed Boom type	3.18 m - 8.71 m 5.53 m / 14.3 sec Fully automatic 4 section pentagonal telescopic boom
Boom hoist system	Hoist angle / speed	0° to 80° / 12.2 sec
Slew system	Slew angle / speed	360° continuous / 2.6 rpm
Drive	Type	Independent steering controls, hydraulic piston motor with built in automatic brake, planet reduction gears, sprocket and crawler.
Traction speed	Low High Gradability Ground length x width Ground pressure	2.9 km/h 5.0 km/h 20° 1650mm x 300mm (Track dimensions) 0.44 kgf / cm ²
Engine	Model Type Rated output Starting method Fuel tank capacity	Yanmar 3TNV88 4 cylinder diesel water cooled direct injection 21.5 kW / 2,400 rpm Electric Diesel/42L
Safe load indicator	Made specifically for Maeda Mini Cranes with a fully programmable working envelope	
Standard equipment	Overwind protection, steel tracks, hydraulic safety valve, level, travel lock lever, tilt alarm, EMO switch, moment limiter, working status lamp, data logger, blade with interlock system, 4-fall / 2-fall hook block	
Optional equipment	Single fall hook Large single fall hook Rubber pads (black or white) weight 90kg 500kg searcher hook	



TCA Lifting

Access & Lifting Specialists

t: +44 (0)845 603 5360

f: +44 (0)845 603 5361

info@tcalifting.com

www.tcalifting.com