

TCA LIFTING LTD

Sales & Rental

Call: +44 (0) 845 603 5360

info@tcalifting.com

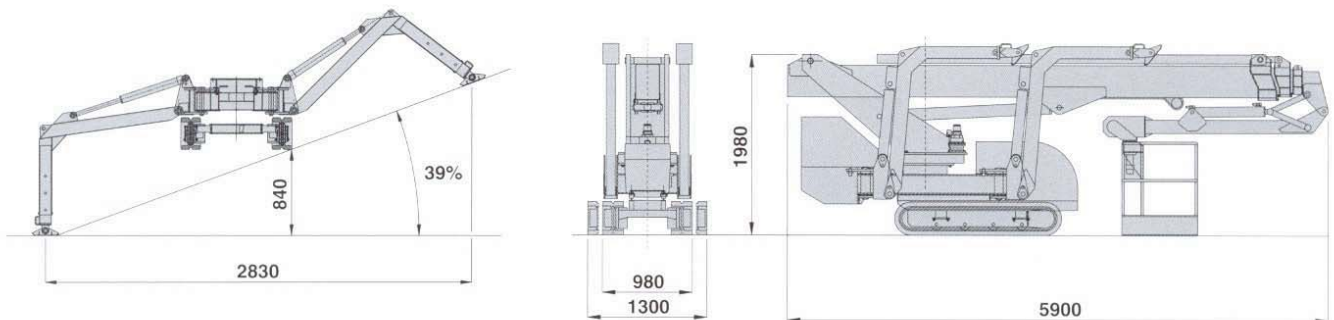
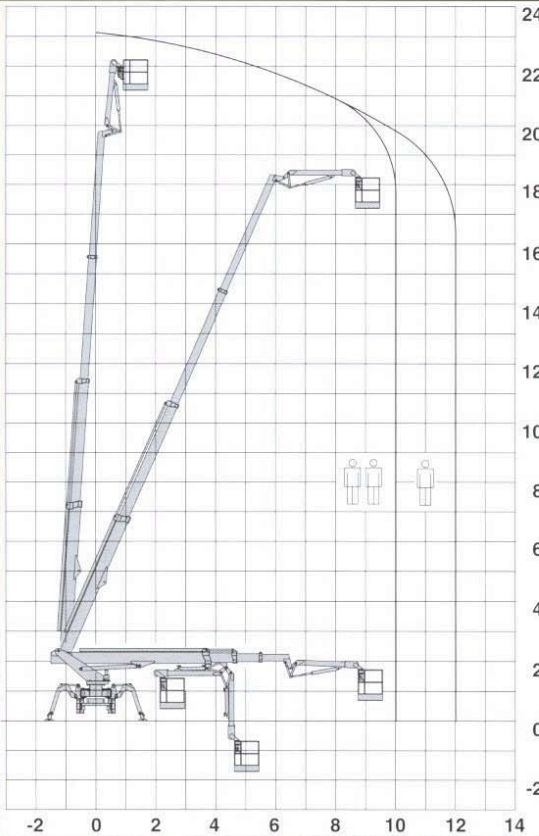
www.tcalifting.com

The new
RAGNO
generation

RAGNO TSJ 23 '09

**> faster and easier,
with automatic
set-up control**

RAGNO TSJ 23



MOTORE DIESEL
MOTORE ELETTRICO
PENDENZA MAX
VELOCITA' MAX
ROTAZIONE TORRETTA
NAVICELLA AEREA
ROTAZIONE NAVICELLA
PORTATA UTILE
PESO

DIESEL ENGINE
ELECTRIC MOTOR
MAX SLOPE
MAX SPEED
TURNABLE SLEWING
AERIAL CAGE
CAGE ROTATION
SAFE WORK. LOAD
WEIGHT

DIESELMOTOR
ELEKTROMOTOR
MAX. STEIGFAHIGKEIT
MAX. GESCHWINDIGKEIT
DREHTURM ROTATION
ARBEITSKORB
KORB ROTATION
ZULADUNG
GEWICHT

MOTEUR DIESEL
MOTEUR ELECTRIQUE
PENTE MAXI
VITESSE MAXI
ROTAZIONE TOURELLE
NACELLE
ORIENTATION NACELLE
CHARGE UTILE
POIDS

10 kW
220V-2,2kW
35%
2 KM/H
400°
1.75\2.0 x 0.8 m
80°+ 80°
200 KG
3.500 KG

Caratteristiche e dati tecnici sono puramente informativi e soggetti a variazione senza preavviso.

Characteristics and technical data are informative only and subjected to change without notice.



Palazzani Industrie Spa

I 25050 Paderno F.C. (Brescia) - Italy
Tel ++ 39 030 6857073
Fax ++ 39 030 657079
mailto: platforms@palazzani.it
www.palazzani.it

TCA LIFTING LTD
'Access & Lifting Specialists'
t: +44 (0) 845 603 5360
info@tcalifting.com
www.tcalifting.com