

trackedaccess

The new **RAGNO** generation

RAGNO TSJ 23 '09

**> faster and easier,
with automatic
set-up control**

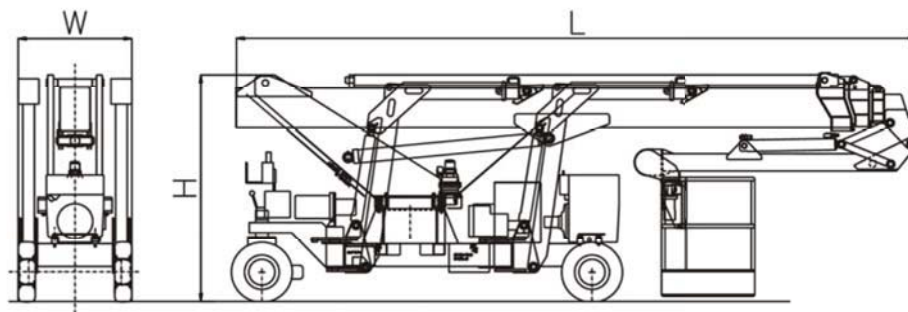
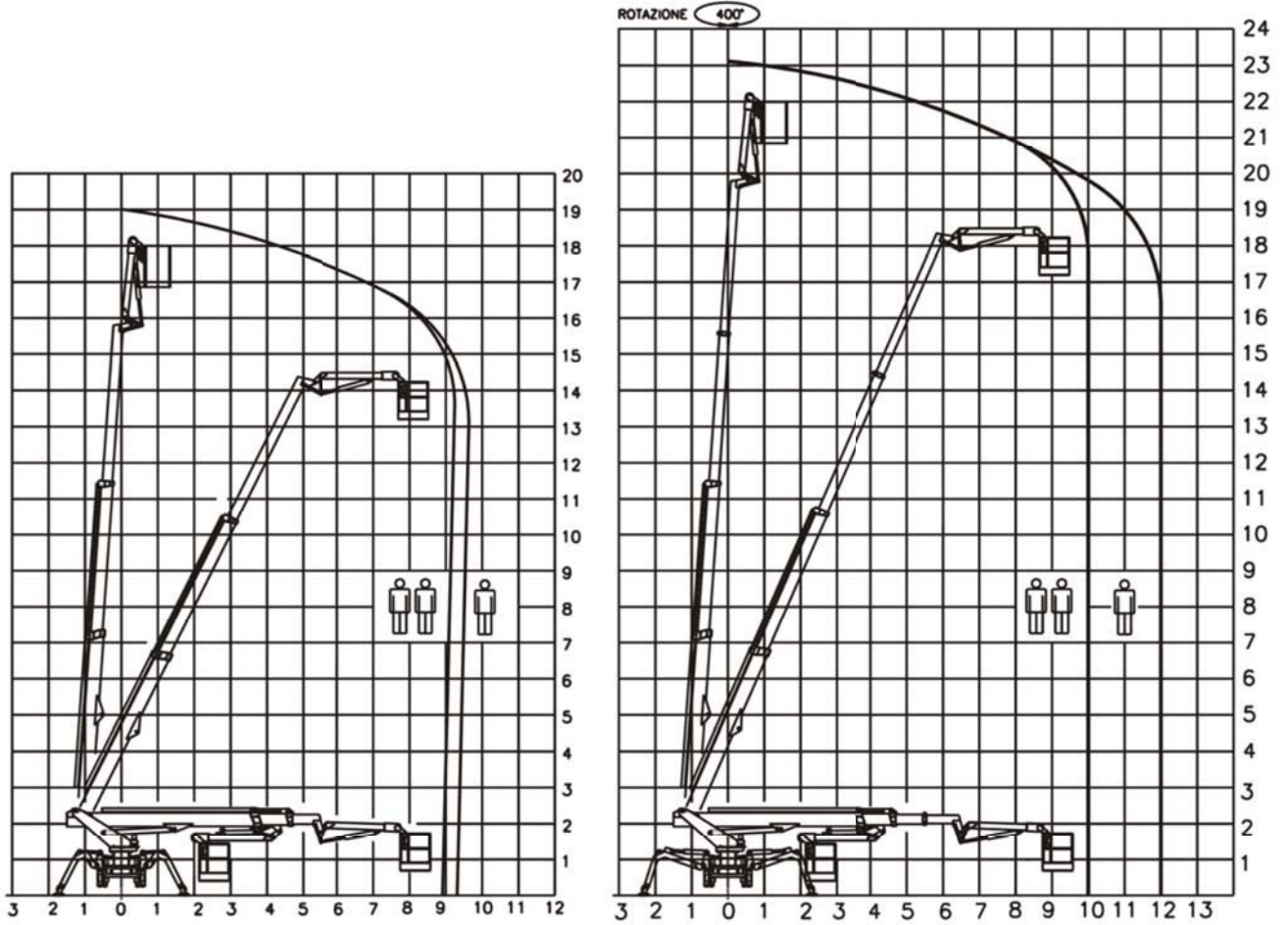
Tracked Access Ltd
Access & Lifting Specialists
t: 0845 603 5360 / f: 0845 603 5361
info@trackedaccess.com
www.trackedaccess.com



trackedaccess

Palazzani Ragno TSJ 19\ R Ragno TSJ 23\ R

Versione Ruote \ Wheeled Version \ Reifen Version \ Version Roues



MODELLO	MODEL	TYP	MODELE	RAGNO TSJ 19\ R	RAGNO TSJ 23\ R
MOTORE DIESEL	DIESEL ENGINE	DIESELMOTOR	MOTEUR DIESEL	8 kW	10 kW
MOTORE ELETTRICO	ELECTRIC MOTOR	ELEKTROMOTOR	MOTEUR ELECTRIQUE	220V-2,2kW	220V-2,2kW
PENDENZA MAX	MAX SLOPE	MAX STEIGFAHIGKEIT	PENTE MAXI	20%	20%
VELOCITA' MAX	MAX SPEED	MAX GESCHWINDIGKEIT	VITESSE MAXI	2 KM/H APPROX	2 KM/H APPR
ROTAZIONE TORRETTA	TURNTABLE SLEWING	DREHTURM ROTATION	ROTATION TOURELLE	400°	400°
NAVICELLA AEREA	AERIAL CAGE	ARBEITSKORB	NACELLE	1.40 X 0.70 M.	1.75\1.95 x 0.80 M.
ROTAZIONE NAVICELLA	CAGE ROTATION	KORB ROTATION	ORIENTATION NACELLE	80° + 80°	80° + 80°
PORTATA UTILE	SAFE WORK. LOAD	ZULADUNG	CHARGE UTILE	120 \ 200 KG	120 \ 200 KG
PESO	WEIGHT	GEWICHT	POIDS	2.850 KG	3.400 KG
LUNGHEZZA (L)	LENGTH (L)	LÄNGE (L)	LONGUEUR (L)	5.700 MM	5.900 MM
LARGHEZZA (W)	WIDTH (W)	BREITE (W)	LARGEUR (W)	980 MM	980 MM
ALTEZZA (H)	HEIGHT (H)	HÖHE (H)	HAUTEUR (H)	1.830 MM	1.980 MM