

# UR-W376C



**UR-W376C features a six-section hydraulic boom to allow a maximum hook height of 14.9m.**

The middle size UNIC mini-crawler crane can be operated either from the onboard operator seat or from a distance using a remote control. Its class-leading boom length of 14.61m brings wide working radius and excellent lifting height.

**Max 14.9m**  
Hook height (Approx.)  
(Above ground level)



**Max 3.03t × 2.5m**  
Lifting capacity

**Max 14.45m**  
Working radius

**3860kg**  
Mass of crane

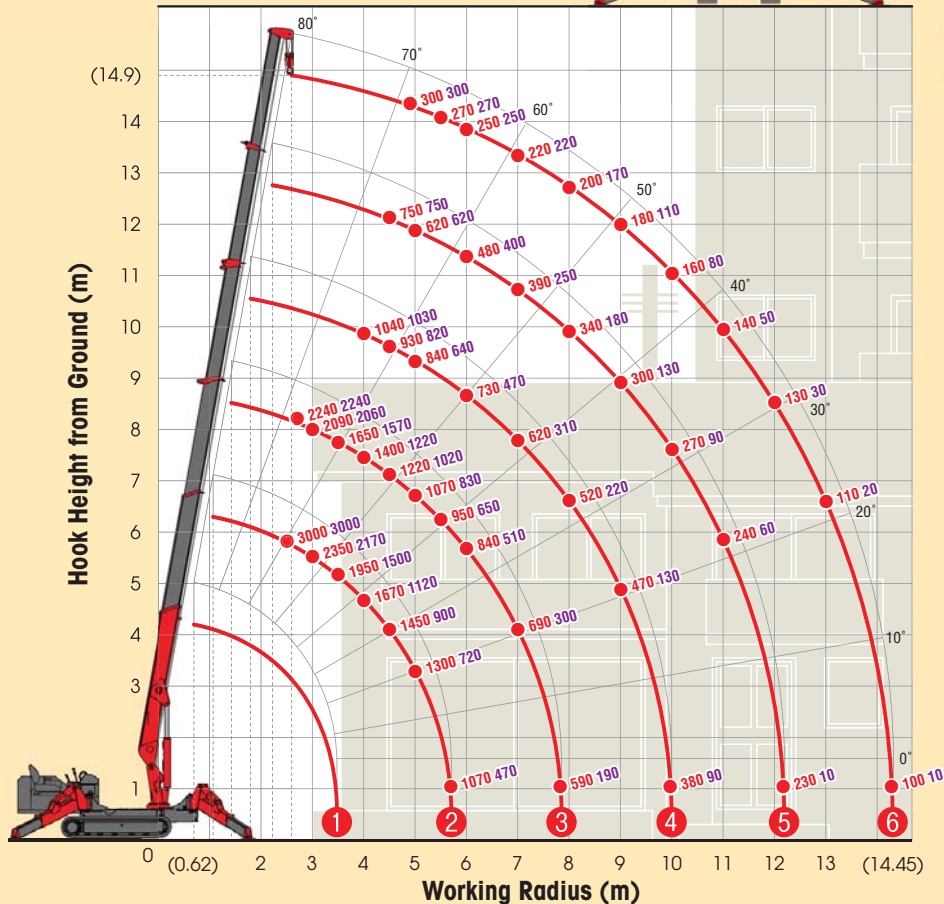
Radio remote control

## SPECIFICATIONS

Crane model	UR-W376C2
Lifting capacity	Max. 3.03t at 2.5m
Working radius	Min. 0.62m, Max. 14.45m
Hook height (Approx.)	Above ground level Max. 14.9m
	Below ground level Max. 18.7m with 4-part line
Boom	Length Min. 3.63m to Max. 14.61m
	Extending speed [with electric power unit] [50Hz] 10.98m / 23.0 sec. [60Hz] 10.98m / 33.5 sec.
	Raising angle / speed [with electric power unit] [50Hz] 0° to 80° / 10.0 sec. [60Hz] 0° to 80° / 15.0 sec.
	Structure 6-section box beam type telescoping boom
Winch	Single line speed [with electric power unit] [50Hz] 34.0 m/min (at 4th layer) [60Hz] 40.0 m/min (at 4th layer)
	Hook speed [with electric power unit] [50Hz] 8.5 m/min (at 4th layer with 4-part line) [60Hz] 10.0 m/min (at 4th layer with 4-part line)
	Structure Hydraulic motor driven, spur gear reduction, with automatic mechanical brake and wire rope retaining roller
	Wire rope Construction : IWRC 6 x WS(26) GRADE B / Diameter x Length : 8mm x 85.0m / Breaking strength : 42.4kN [4320 kgf]
Slewing	Hook block 3.00t capacity, 2 sheaves with safety latch
	Range 360° continuous rotation on a ball bearing race
Outriggers	Speed [with electric power unit] [50Hz] 2.1 rpm [60Hz] 2.5 rpm
	Structure Hydraulic motor driven, worm gear reduction, spur gear reduction, and worm self-locking brake (supported by ball bearings)
Hydraulic pump	Horizontal, Vertical A double acting hydraulic cylinder, direct pushing type (Directly connected with hydraulic automatic lock device)
	Type Variable delivery piston pump
	Rated pressure 21.6 MPa [220 kgf/cm <sup>2</sup> ]
	Rated delivery 60 liters/min
Rated revolution 2500 rpm	
Hydraulic oil tank capacity 75 liters	
Safety devices	Pressure relief valve for hydraulic circuit / Counterbalance valves for boom raising and boom telescoping cylinders / Pilot-operated check valves for outrigger cylinders (Horizontal) / Double pilot-operated check valves for outrigger cylinders (Vertical) / Boom angle indicator with load indicator / Hook safety latch / Automatic mechanical brake for winch / Automatic stop for overwinding / Overwinding alarm / Automatic stop for leaving minimum wire rope / Emergency stop button / Inter-lock device of crane and crawling levers / Inter-lock device of crane and outriggers / Level / Automatic stop for overloading (KM-100) / Digital load meter / Three colored lamp / Headlight / Boom outrigger monitor lamp

## WORKING RANGE & NET RATED LOADS (kg)

Outrigger ● Max-extended NOT max-extended



Hook Height below Ground level 18.7m

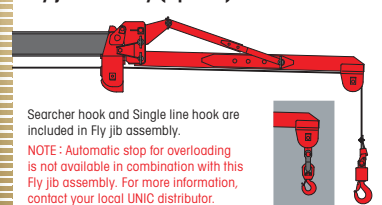
Automatic stop for overloading (KM-100)



Three colored lamp



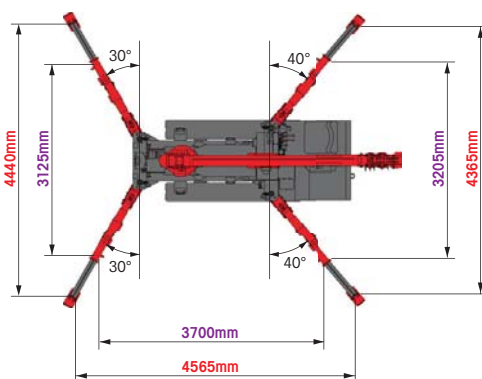
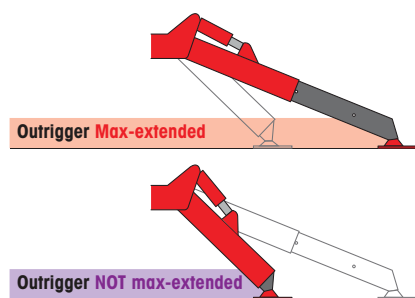
Fly jib assembly (Options)



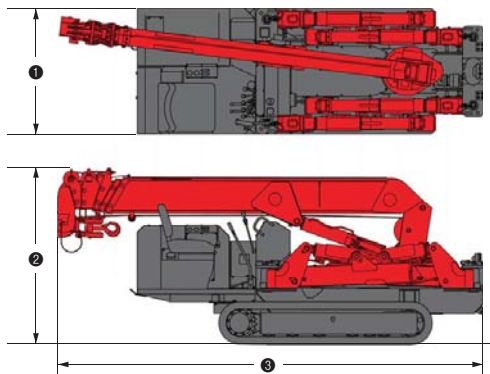
Searcher hook and Single line hook are included in Fly jib assembly.  
 NOTE: Automatic stop for overloading is not available in combination with this Fly jib assembly. For more information, contact your local UNIC distributor.

Length	2.0m
Lifting capacity	Max. 700kg
Tilt angles	0°, 20°, 40°, 60°

## OUTRIGGER POSITIONS



## DIMENSIONS



## CRAWLING GEAR

Crane model	UR-W376C2
Crawling speed [with electric power unit]	0~3.0 km/h, forward / backward [50Hz] 0~1.3 km/h [60Hz] 0~1.5 km/h
Hill climbing ability	23°
Tread length	1750mm
Ground contact pressure [with electric power unit]	36.3 kPa [0.37 kg/cm <sup>2</sup> ] 37.3 kPa [0.38 kg/cm <sup>2</sup> ]
Engine manufacturer / model	Yanmar / 3TNV76
Displacement	1115cc
Maximum output	15.17kW(20.6PS) / 2500 rpm, Rated output
Fuel	Diesel
Fuel tank capacity	40 liters
Steering	Hydraulic drive independent of left / right
Starter	Starter motor

Crane model	UR-W376C2
① Total width	1300mm
② Total height	1800mm
③ Total length	4340mm
Mass of crane	3860kg [4010kg]

## Electric power unit specifications

Rated power	7.5kW (3-phase 4 poles)
Voltage	AC 200V or 400V (50Hz / 60Hz) 3 phase 4P

\*Not included any cables.