

UR-W706C



UR-W706C features maximum hook height of 19.5m with its six section hydraulic boom.

With a 6.05t lifting capacity at 3.0m and maximum hook height of 19.5m, it is compact enough to travel through a standard size double doorway. Its compactness and flexibility allow it to travel where no other cranes could have gone before.

Max 19.5m
Hook height (Approx.)
(Above ground level)



with electric power unit

Max 6.05t x 3.0m
Lifting capacity

Max 18.60m
Working radius

7980kg
Mass of crane

Radio remote control

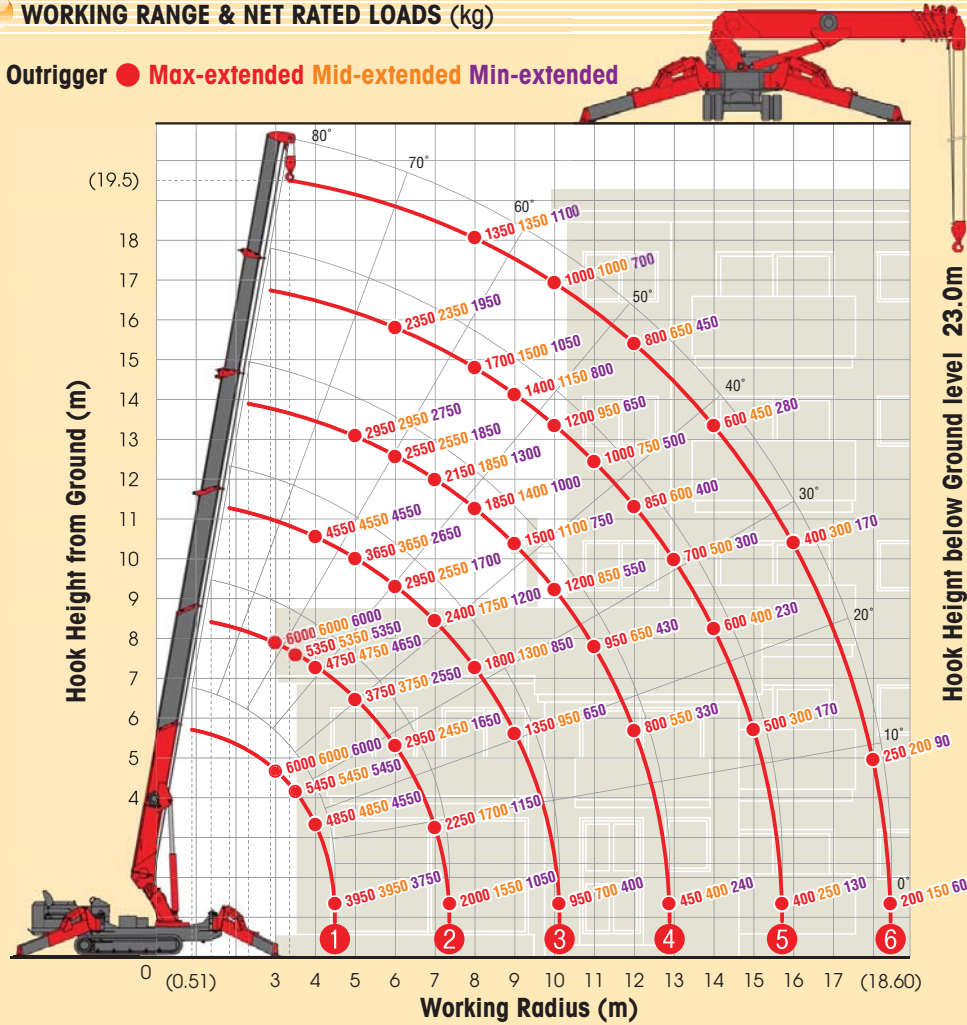


SPECIFICATIONS

Crane model	UR-W706C2
Lifting capacity	Max. 6.05t at 3.0m
Working radius	Min. 0.51m, Max. 18.60m
Hook height (Approx.)	Above ground level Max. 19.5m
	Below ground level Max. 23.0m with 4-part line
Boom	Length Min. 4.80m to Max. 19.20m
	Extending speed [with electric power unit] [50Hz] 14.40m / 110.0 sec. [60Hz] 14.40m / 90.0 sec.
	Raising angle / speed [with electric power unit] [50Hz] 0° to 80° / 16.0 sec. [60Hz] 0° to 80° / 37.0 sec.
	Structure 6-section box beam type telescoping boom
Winch	Single line speed [with electric power unit] 44.0 m/min (at 4th layer) [50Hz] 15.6 m/min (at 4th layer) [60Hz] 17.7 m/min (at 4th layer)
	Hook speed [with electric power unit] 11.0 m/min (at 4th layer with 4-part line) [50Hz] 3.9 m/min (at 4th layer with 4-part line) [60Hz] 4.4 m/min (at 4th layer with 4-part line)
	Structure Hydraulic motor driven, planetary gear reduction, with automatic mechanical brake and counterbalance valve and wire rope retaining roller
	Wire rope Construction : IWRC 6 XP Fi(29) / Diameter x Length : 10mm x 111.0m / Breaking strength : 92.2kN [9400 kgf]
Slewing	Hook block 6.00t capacity, 2 sheaves with safety latch
	Range 360° continuous rotation on a ball bearing race
	Speed [with electric power unit] 2.5 rpm [50Hz] 1.8 rpm [60Hz] 1.8 rpm
Outriggers	Structure Hydraulic motor driven, worm gear reduction, spur gear reduction, and worm self-locking brake (supported by ball bearings)
	Horizontal, Vertical A double acting hydraulic cylinder, direct pushing type (Directly connected with hydraulic automatic lock device)
Hydraulic pump	Type Variable delivery piston pump
	Rated pressure 24.5 MPa [250 kgf/cm ²]
	Rated delivery 81 liters/min
	Rated revolution 2500 rpm
Hydraulic oil tank capacity	120 liters
Safety devices	Pressure relief valve for hydraulic circuit / Counterbalance valves for boom raising and boom telescoping cylinders / Pilot-operated check valves for outrigger cylinders (Horizontal) / Double pilot-operated check valves for outrigger cylinders (Vertical) / Boom angle indicator with load indicator / Hook safety latch / Automatic mechanical brake for winch / Automatic stop for overwinding / Overwinding alarm / Automatic stop for leaving minimum wire rope / Emergency stop button / Inter-lock device of crane and crawling levers / Inter-lock device of crane and outriggers / Level / Automatic stop for overloading (ML-300) / Digital load meter / Three colored lamp / Headlight / Boom outrigger monitor lamp

WORKING RANGE & NET RATED LOADS (kg)

Outrigger ● Max-extended Mid-extended Min-extended



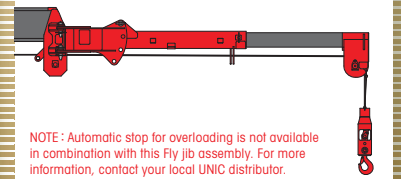
Automatic stop for overloading (ML-300)



Three colored lamp



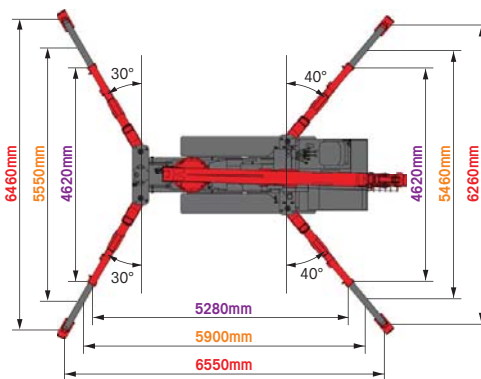
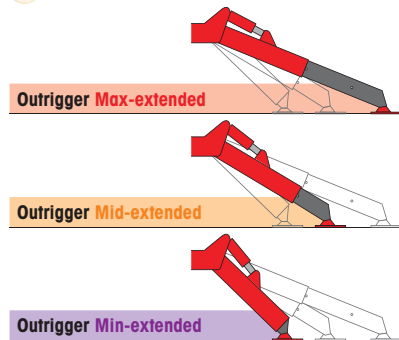
Fly jib assembly (Options)



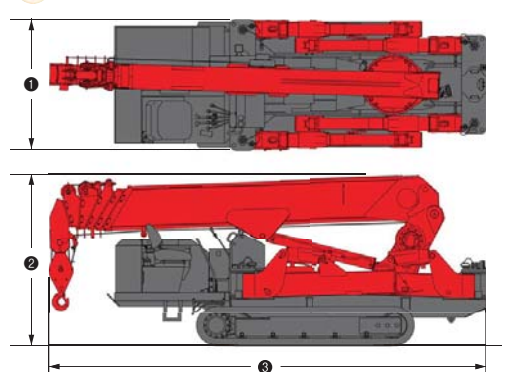
NOTE: Automatic stop for overloading is not available in combination with this Fly jib assembly. For more information, contact your local UNIC distributor.

Length	at 2.11m or at 3.11m
Lifting capacity	Max. 800kg
Tilt angles	0°, 20°, 40°, 60°

OUTRIGGER POSITIONS



DIMENSIONS



CRAWLING GEAR

Crane model	UR-W706C2
Crawling speed [with electric power unit]	0~2.9 km/h, forward / backward [50Hz] 0~1.0 km/h [60Hz] 0~1.2 km/h
Hill climbing ability	23°
Tread length	2275mm
Ground contact pressure [with electric power unit]	43.2 kPa [0.44 kg/cm ²] 44.1 kPa [0.45 kg/cm ²]
Engine manufacturer / model	Mitsubishi / S4L2
Displacement	1758cc
Maximum output	23.00kW(31.3PS) / 2500 rpm, Rated output
Fuel	Diesel
Fuel tank capacity	74 liters
Steering	Hydraulic drive independent of left / right
Starter	Starter motor

Crane model	UR-W706C2
1 Total width	1670mm
2 Total height	2185mm
3 Total length	5610mm
Mass of crane	7920kg [8080kg]

[with electric power unit]

Electric power unit specifications

Rated power	7.5kW (3-phase 4 poles)
Voltage	AC 200V or 400V (50Hz / 60Hz) 3 phase 4P

*Not included any cables.